



OPAQUE FIBERGLASS ENTRY DOOR DOUBLES w/ or w/out SIDELITES

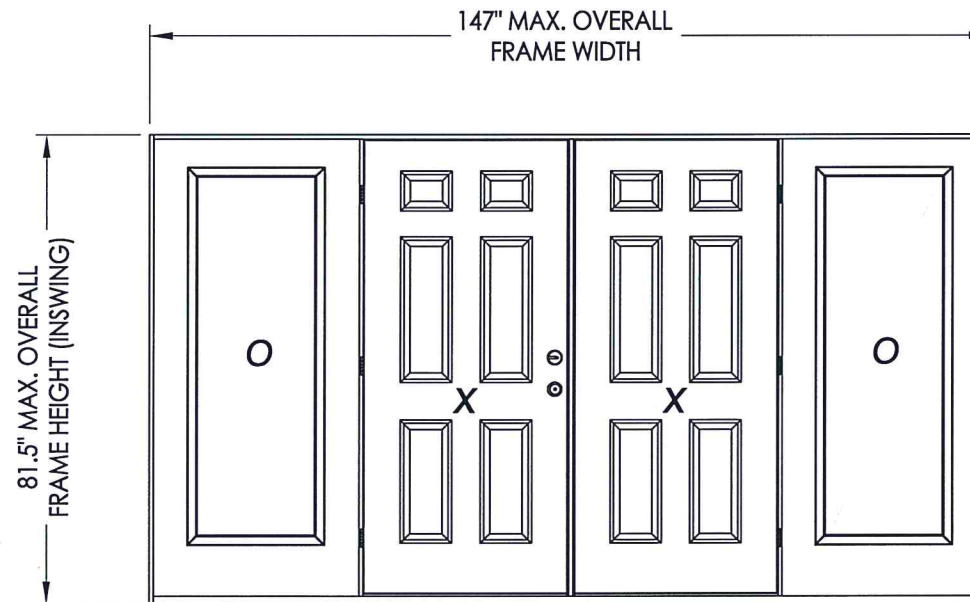
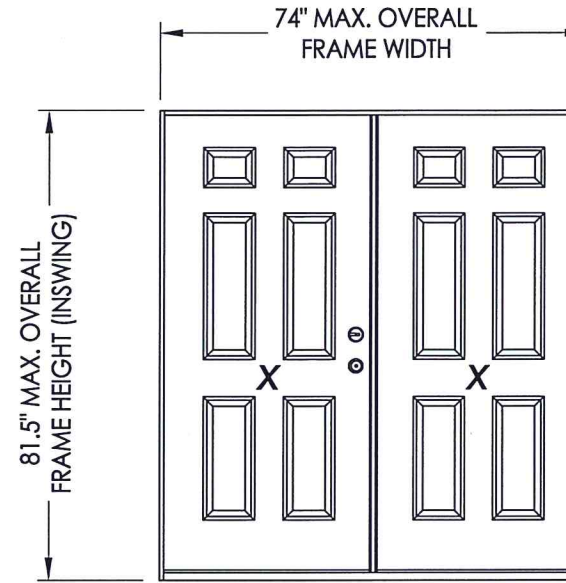
**INSWING
"NON-IMPACT"**

GENERAL NOTES

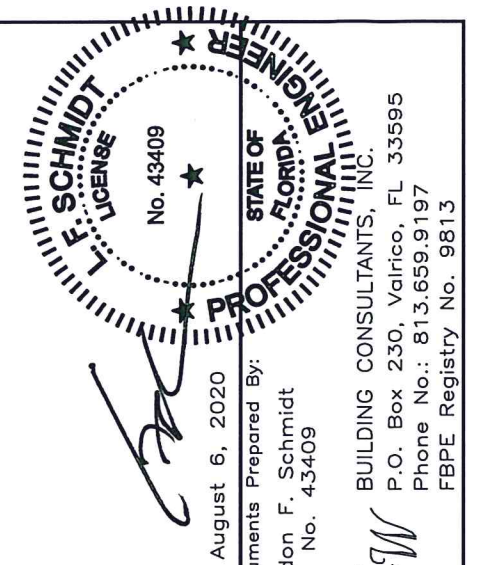
1. This product has been evaluated and is in compliance with the 7th Edition (2020) Florida Building Code (FBC) structural requirements excluding the "High Velocity Hurricane Zone" (HVHZ).
2. Product anchors shall be as listed and spaced as shown on details. Anchor embedment to base material shall be beyond wall dressing or stucco.
3. When used in areas requiring wind borne debris protection, this product is required to be protected with an impact resistant covering that complies with FBC Sections 1609.1.2 & R301.2.1.2.
4. For 2x stud framing construction, anchoring of these units shall be the same as that shown for 2x buck masonry construction.
5. Site conditions that deviate from the details of this drawing require further engineering analysis by a licensed engineer or registered architect.

TABLE OF CONTENTS

SHEET #	DESCRIPTION
1	Typical Elevations, Design Pressures & General Notes
2	Door Panel Details & Glazing Details
3	Sidelite Panel Details
4	Elevations
5	Horizontal & Vertical Cross Sections (2X Buck)
6	Horizontal & Vertical Cross Sections (1X Buck)
7	Horizontal & Vertical Cross Sections (Direct to Masonry)
8	Horizontal Cross Sections
9	Vertical Cross Sections
10	Buck Anchoring
11	Frame Anchoring & Hardware Details
12	Astragal Details
13	Bill of Materials & Components



CONFIGURATION	MAX. FRAME DIMENSION	DESIGN PRESSURE (PSF) INSWING	
		POSITIVE	NEGATIVE
XX	74.0" x 81.5"	+50.0	-55.0
OXXO	147.0" x 81.5"	+40.0	-40.0



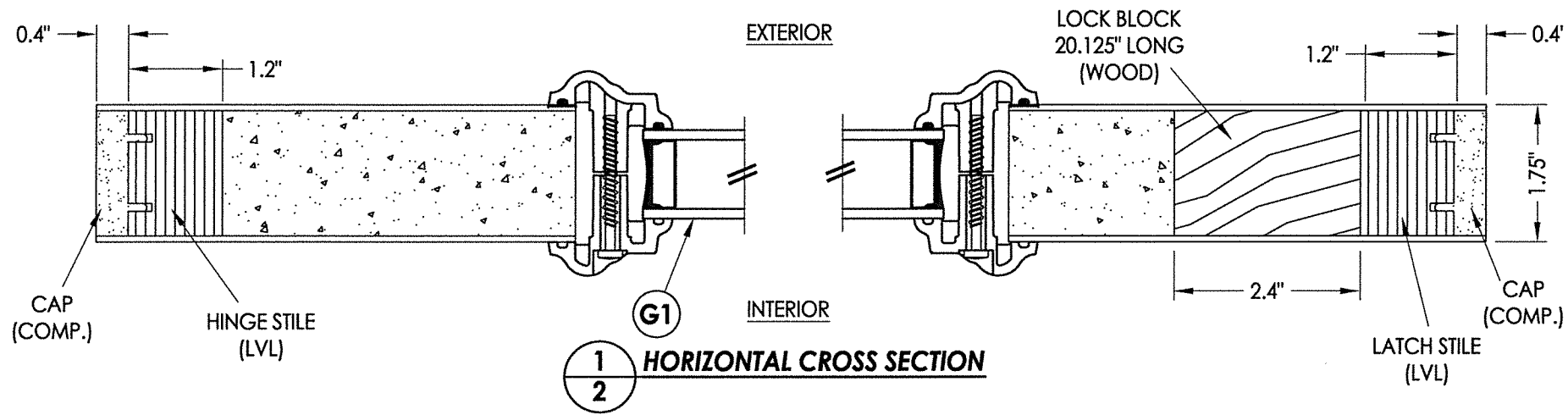
August 6, 2020
 Documents Prepared By:
 Lyndon F. Schmidt
 P.E. No. 43409
 R.W. BUILDING CONSULTANTS, INC.
 P.O. Box 230, Valrico, FL 33595
 Phone No.: 813.659.9197
 FBPE Registry No. 9813

PRODUCT: DOORSCAPES FIBERGLASS DOOR
 PART OR ASSEMBLY: TYPICAL ELEVATION, DESIGN PRESSURES & GENERAL NOTES

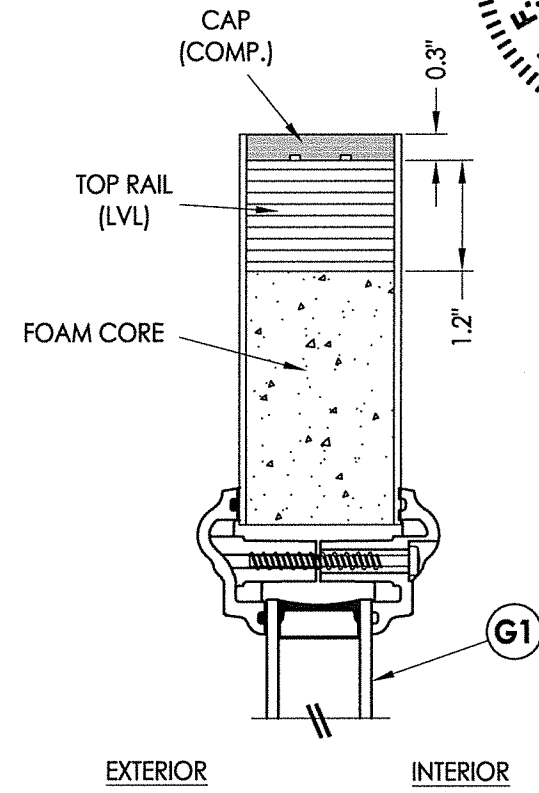
NO.	DATE	REVISIONS
1	8/06/20	UPDATE TO 7TH ED. (2020) FBC

DATE: 1/21/19
 SCALE: N.T.S.
 DWG. BY: MT
 CHK. BY: LFS
 DRAWING NO.: FL-28831.2
 SHEET 1 OF 13

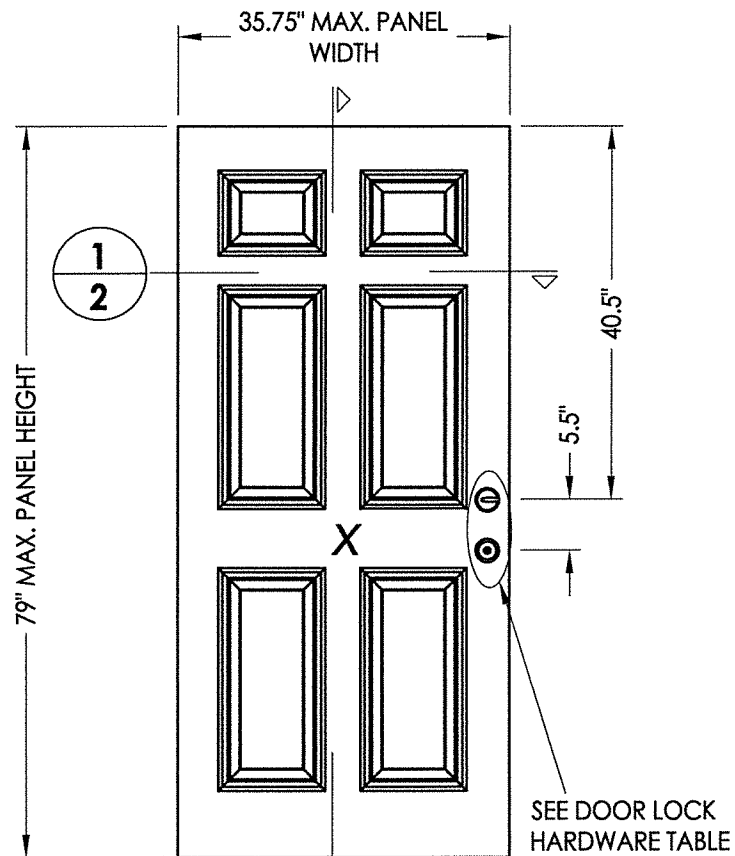
R:\Clients\Doorscapes\A - Florida Product Approvals\FL-28831 (FG Door)\C - Drawings\FL-28831 (2020)\FL28831.1-2.dwg, 2.2



1
2 HORIZONTAL CROSS SECTION



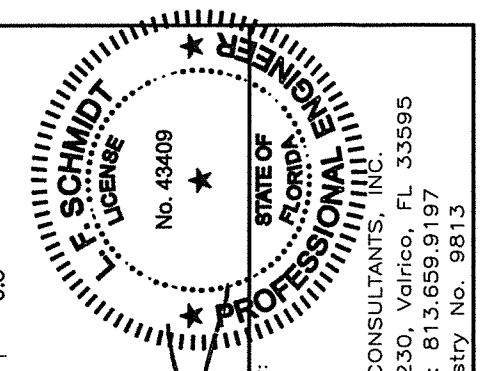
2
2 VERTICAL CROSS SECTION



40 DOOR PANEL
Doorscapes

FIBERGLASS SKIN: 0.075" MIN. THK.
FOAM CORE: POLYURETHANE -1.9 PCF MIN.

HARDWARE TABLE	
MANUFACTURER	MODEL
YALE	KNOB: YE SERIES (10) DEADBOLT: YE SERIES (82E)



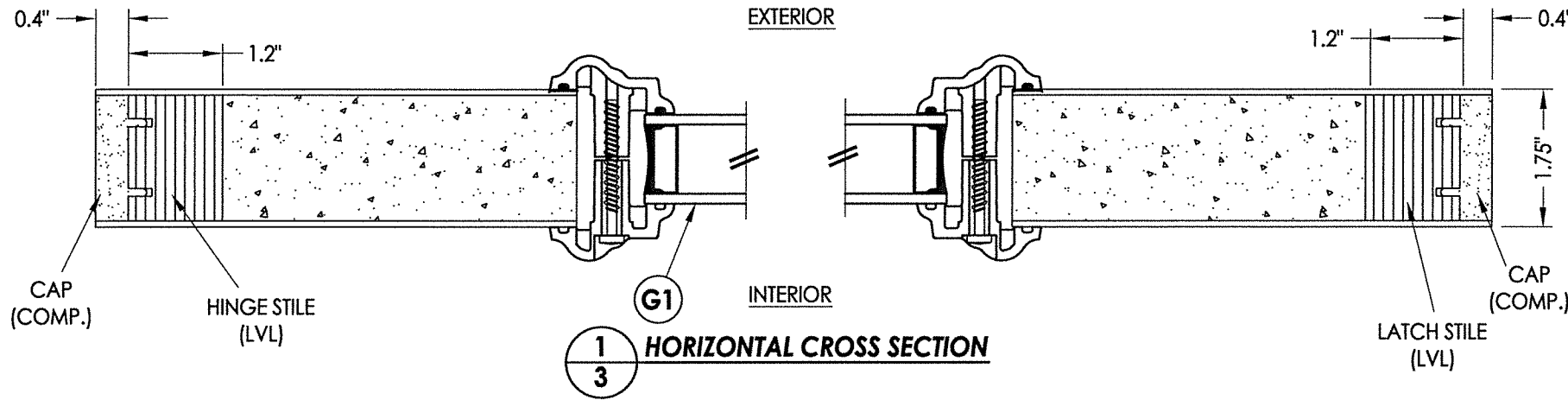
August 6, 2020
 Documents Prepared By:
 Lyndon F. Schmidt
 P.E. No. 43409
 BUILDING CONSULTANTS, INC.
 P.O. Box 230, Valrico, FL 33595
 Phone No.: 813.659.9197
 FBPE Registry No. 9813

PRODUCT: DOORSCAPES FIBERGLASS DOOR
 PART OR ASSEMBLY: DOOR PANEL & GLAZING DETAILS

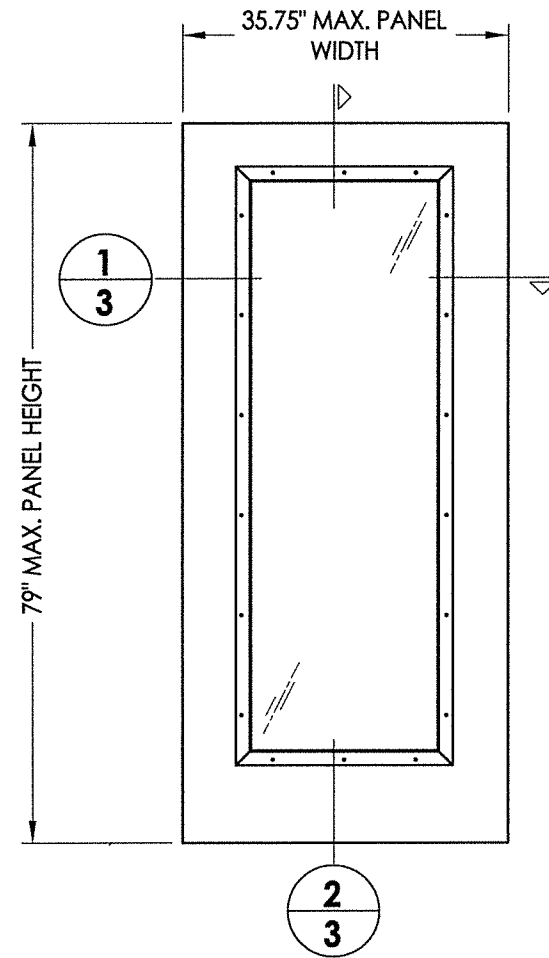
NO.	DATE	BY	REVISIONS
1	8/06/20	LFS	UPDATE TO 7TH ED. (2020) FBC

DATE: 1/21/19
 SCALE: N.T.S.
 DWG. BY: MT
 CHK. BY: LFS
 DRAWING NO.: FL-28831.2
 SHEET 2 OF 13

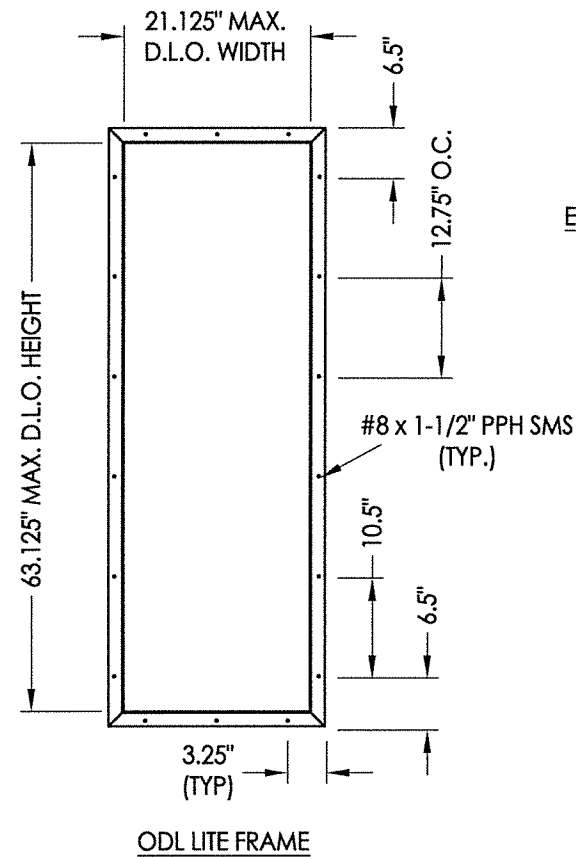
R:\Clients\Doorscapes\A - Florida Product Approvals\FL-28831 (FG Door)\C - Drawings\FL-28831 (2020)\FL28831.1-2.dwg, 3.2



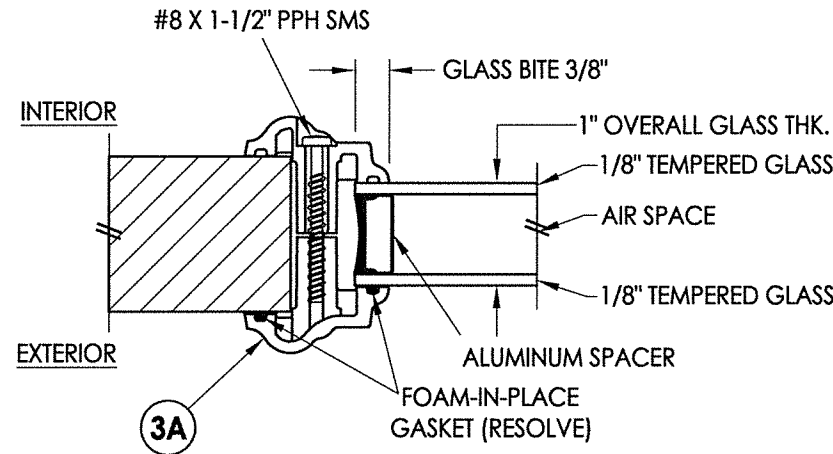
1
3 HORIZONTAL CROSS SECTION



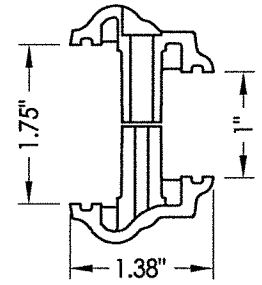
50 SIDELITE PANEL
Doorscapes



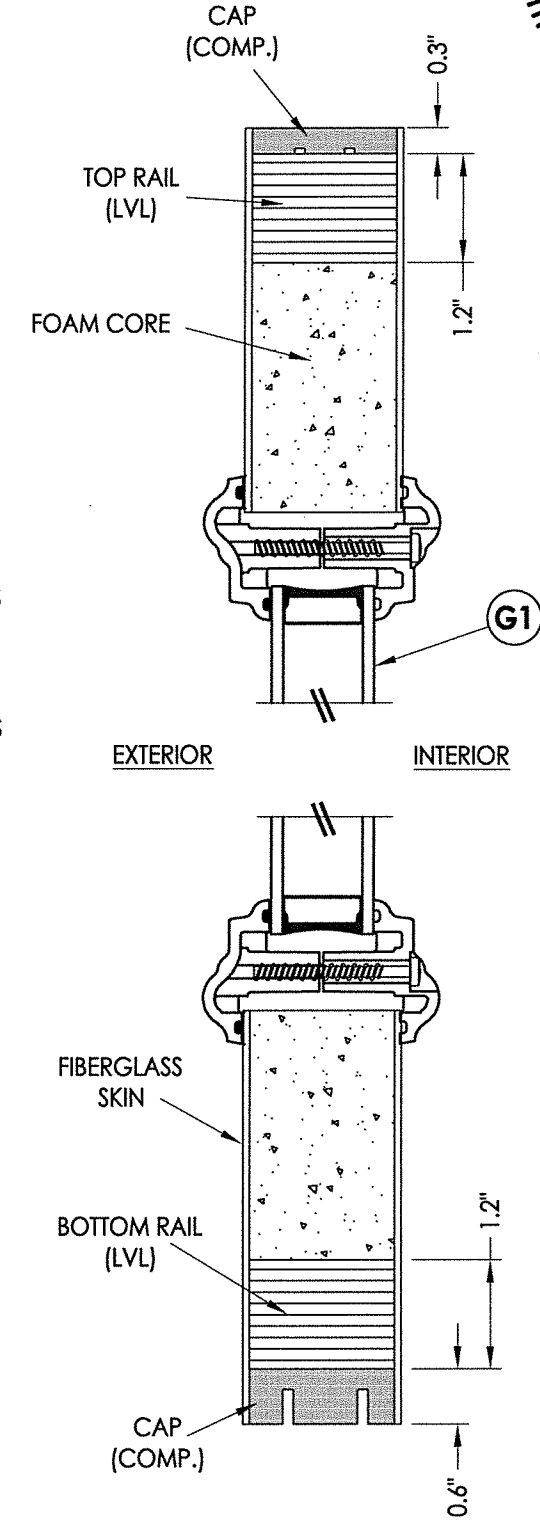
ODL LITE FRAME



G1 GLAZING DETAIL
ODL LITE FRAME

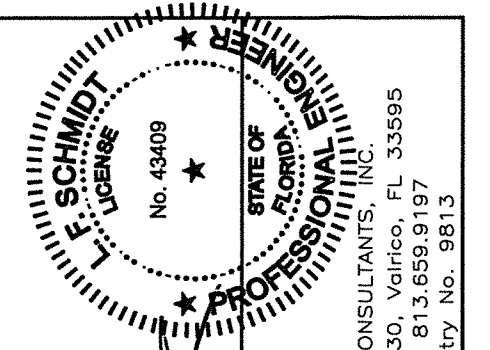


3A ODL LITE FRAME
HP Polypropylene



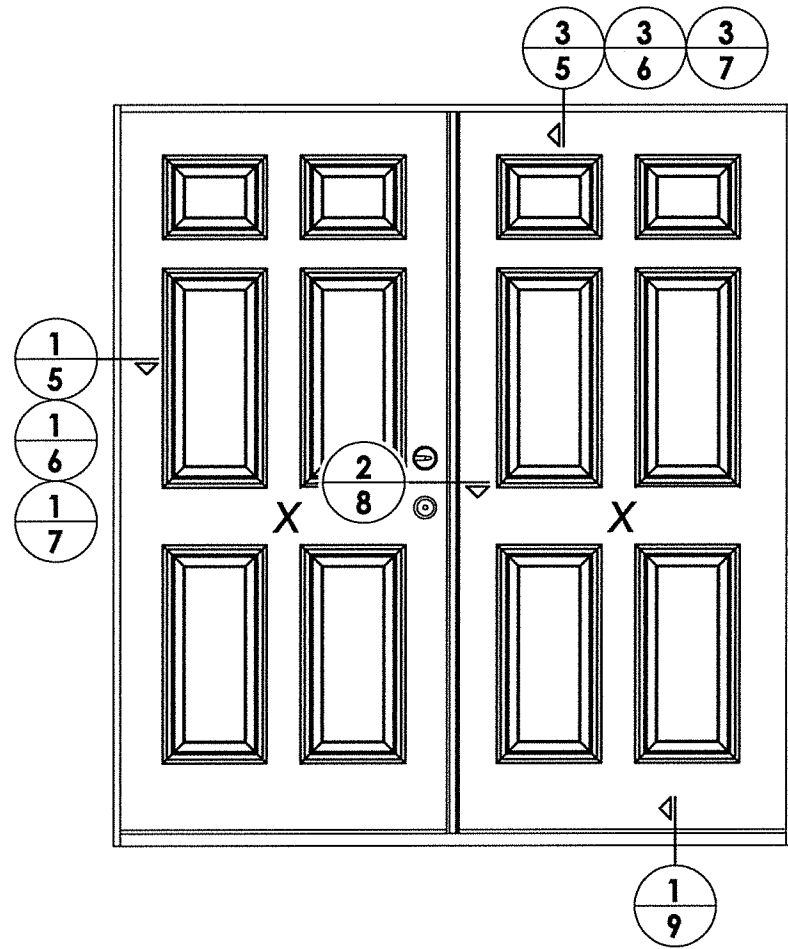
2
3 VERTICAL CROSS SECTION

FIBERGLASS SKIN: 0.075" MIN. THK.
FOAM CORE: POLYURETHANE -1.9 PCF MIN.

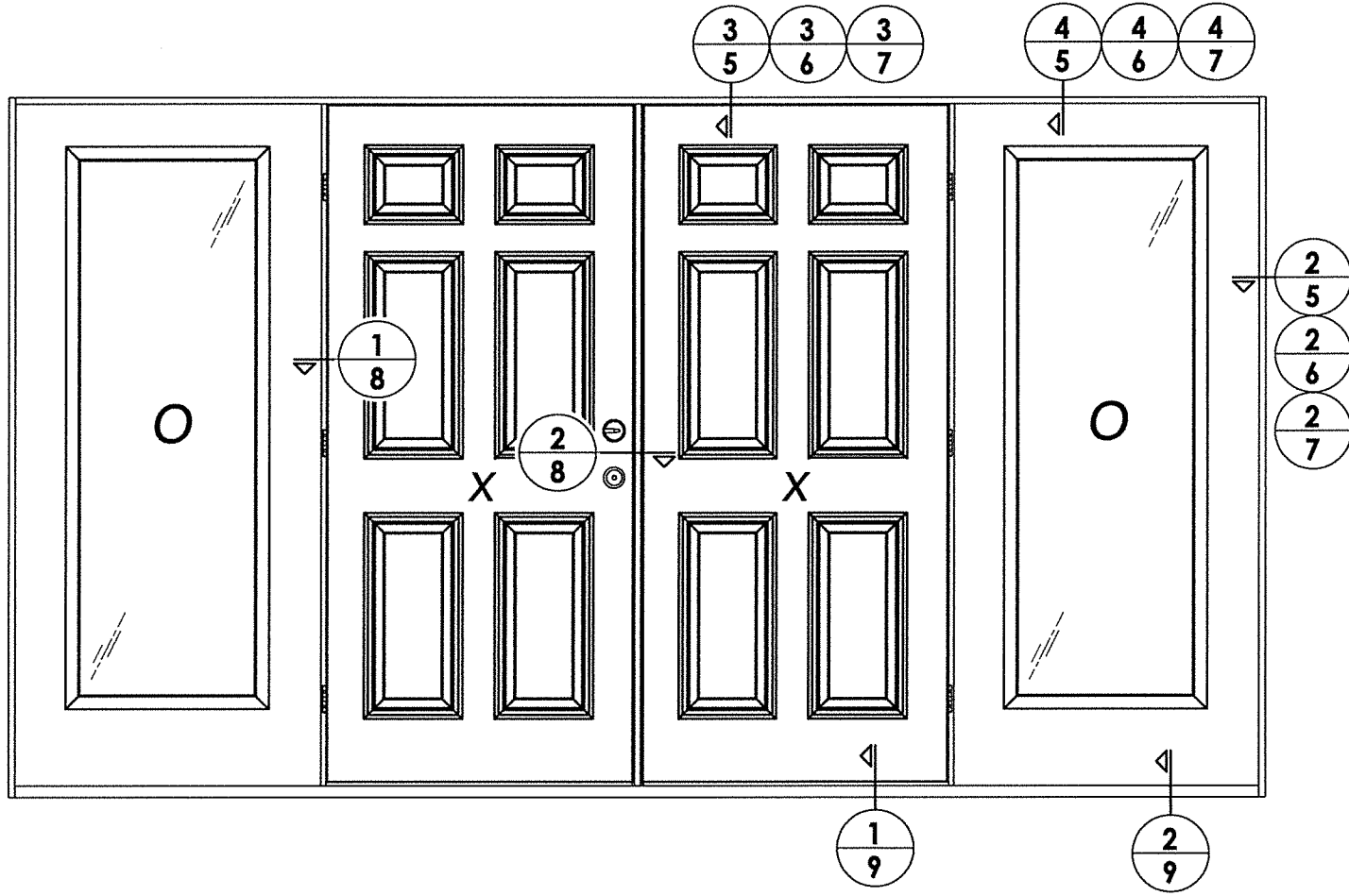


August 6, 2020
Documents Prepared By:
Lyndon F. Schmidt
P.E. No. 43409
RW
BUILDING CONSULTANTS, INC.
P.O. Box 230, Valrico, FL 33595
Phone No.: 813.659.9197
FBPE Registry No. 9813

PRODUCT:		DOORSCAPES FIBERGLASS DOOR	
PART OR ASSEMBLY:		DOOR PANEL & GLAZING DETAILS	
NO.	DATE	BY	REVISIONS
1	8/06/20	LFS	UPDATE TO 7TH ED. (2020)
DATE: 1/21/19			
SCALE: N.T.S.			
DWG. BY: MT			
CHK. BY: LFS			
DRAWING NO.: FL-28831.2			
SHEET 3 OF 13			



ELEVATION
XX



ELEVATION
OXO

August 6, 2020
 Documents Prepared By:
 Lyndon F. Schmidt
 P.E. No. 43409

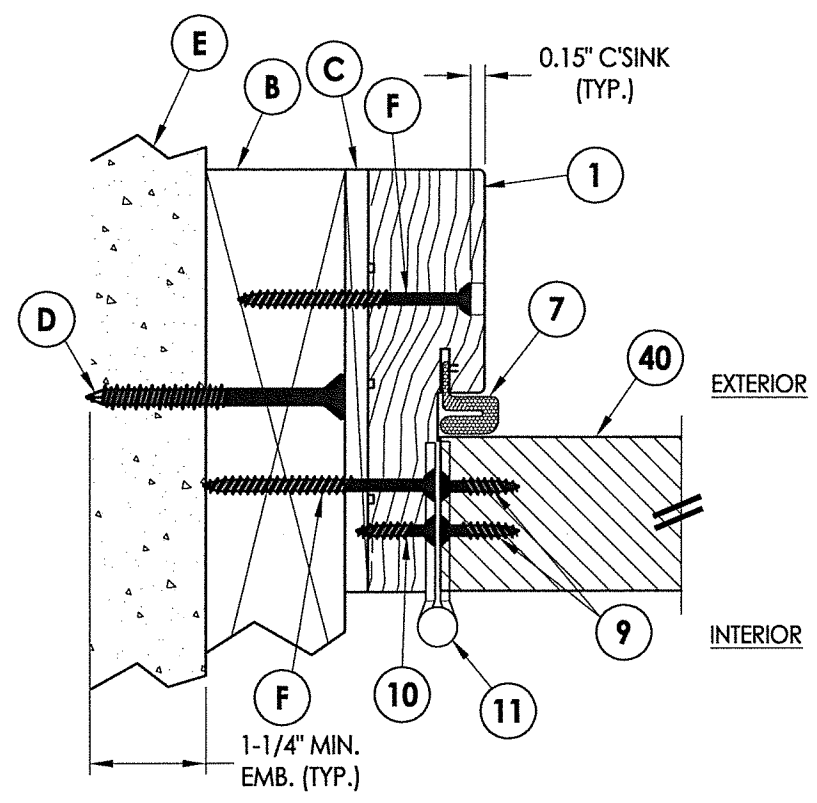
FLORIDA PROFESSIONAL ENGINEER
 F. SCHMIDT
 LICENSE
 No. 43409

STATE OF FLORIDA
 PROFESSIONAL ENGINEER

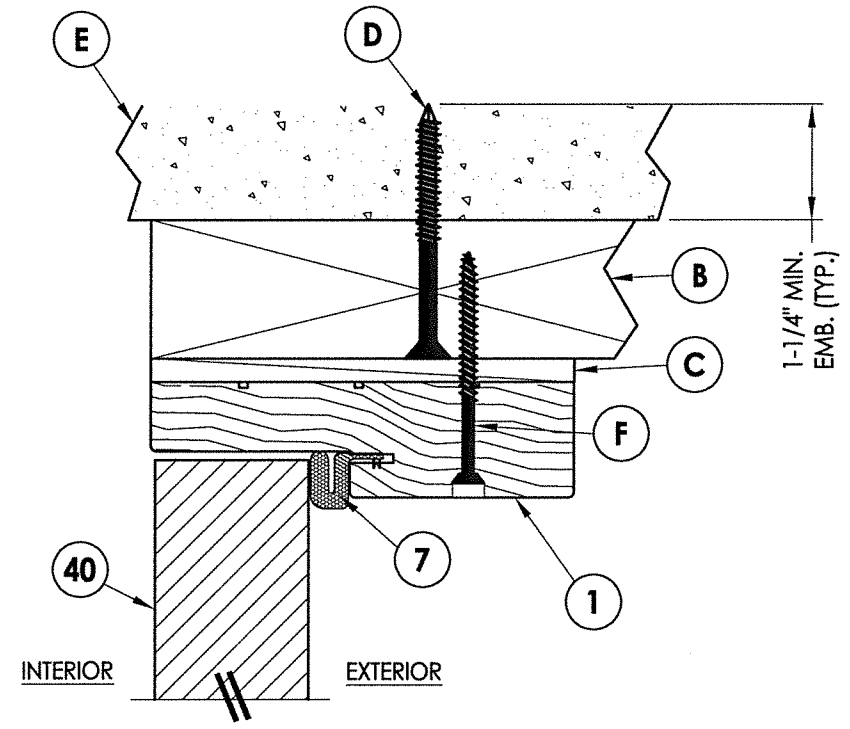
RW
 BUILDING CONSULTANTS, INC.
 P.O. Box 230, Vairico, FL 33595
 Phone No.: 813.659.9197
 FBPE Registry No. 9813

PRODUCT: DOORSCAPES FIBERGLASS DOOR	
PART OR ASSEMBLY: ELEVATIONS	
NO.	DATE
1	8/06/20
UPDATE TO 7TH ED. (2020) FBC LFS BY	
REVISIONS	
DATE:	1/21/19
SCALE:	N.T.S.
DWG. BY:	MT
CHK. BY:	LFS
DRAWING NO.:	FL-28831.2
SHEET	4 OF 13

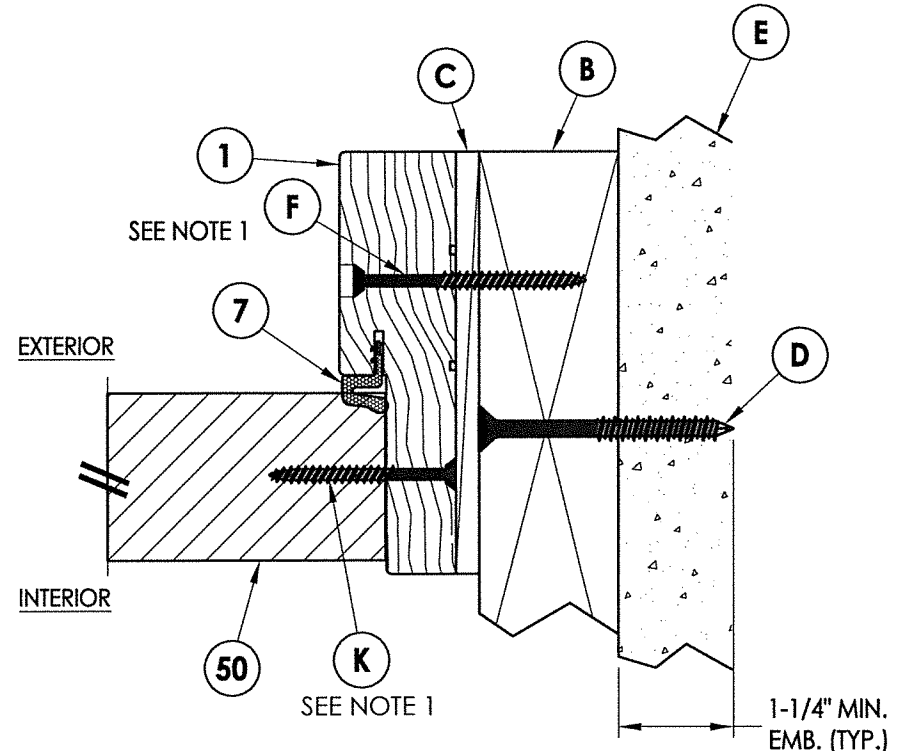
R:\Clients\Doorscapes\A - Florida Product Approvals\FL-28831 (FG Door)\C - Drawings\FL-28831 (2020)\FL28831.1-2.dwg, 5.2



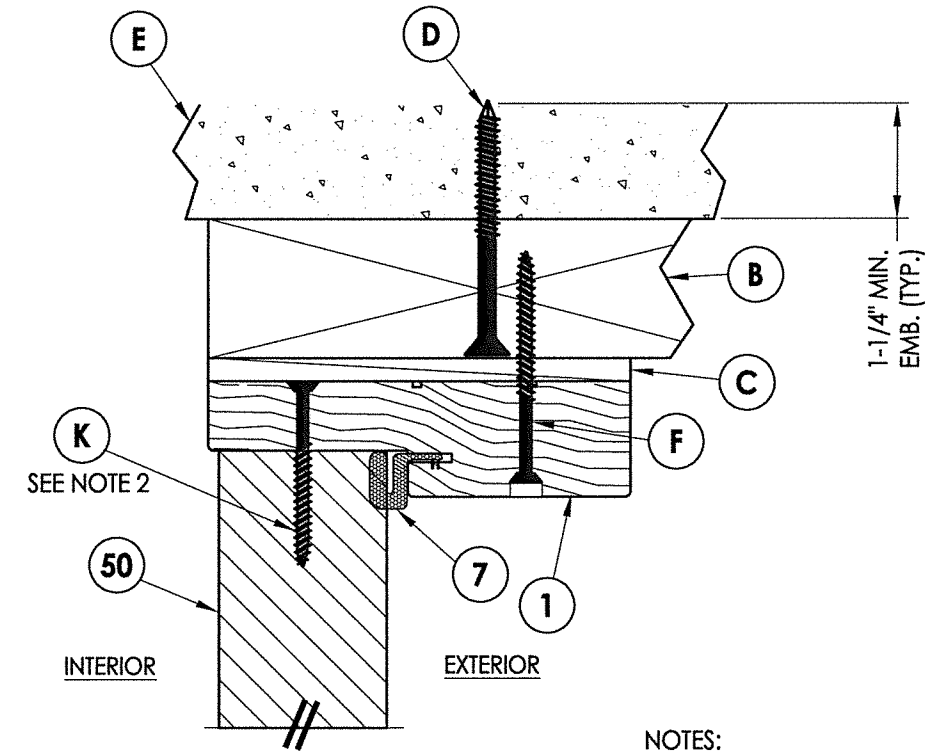
1 HORIZONTAL CROSS SECTION
5 Inswing
 2X Buck Construction



3 VERTICAL CROSS SECTION
5 Inswing
 2X Buck Construction



2 HORIZONTAL CROSS SECTION
5 Inswing
 2X Buck Construction



4 VERTICAL CROSS SECTION
5 Inswing
 2X Buck Construction

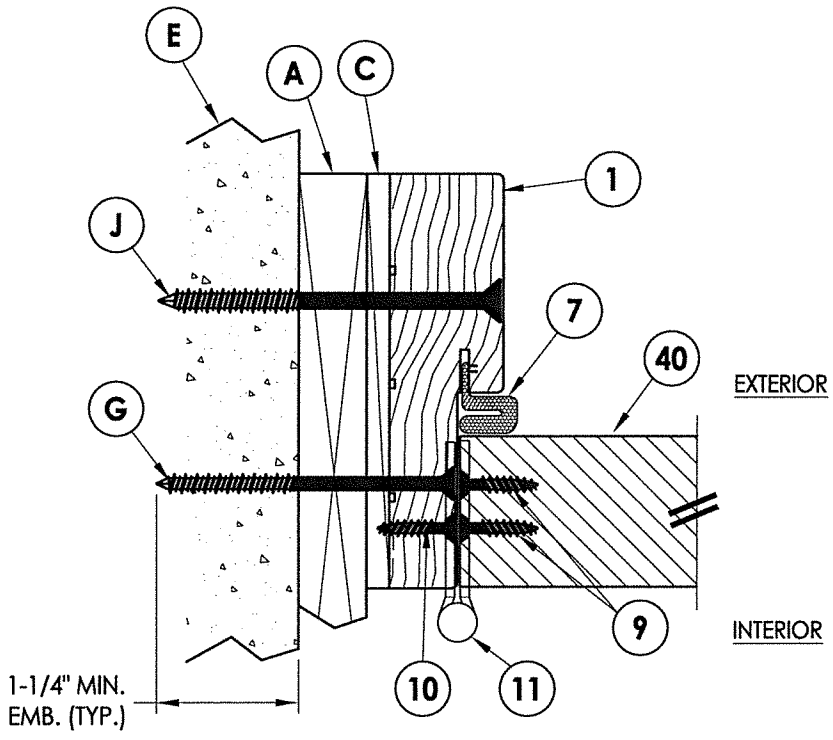
- NOTES:**
- Sidelite attached @ 6" from each end plus 4 more screws equally spaced between (6 screws total per jamb).
 - Sidelite attached @ 3" from each end (2 screws total @ head).

August 6, 2020
 Documents Prepared By:
 Lyndon F. Schmidt
 P.E. No. 43409

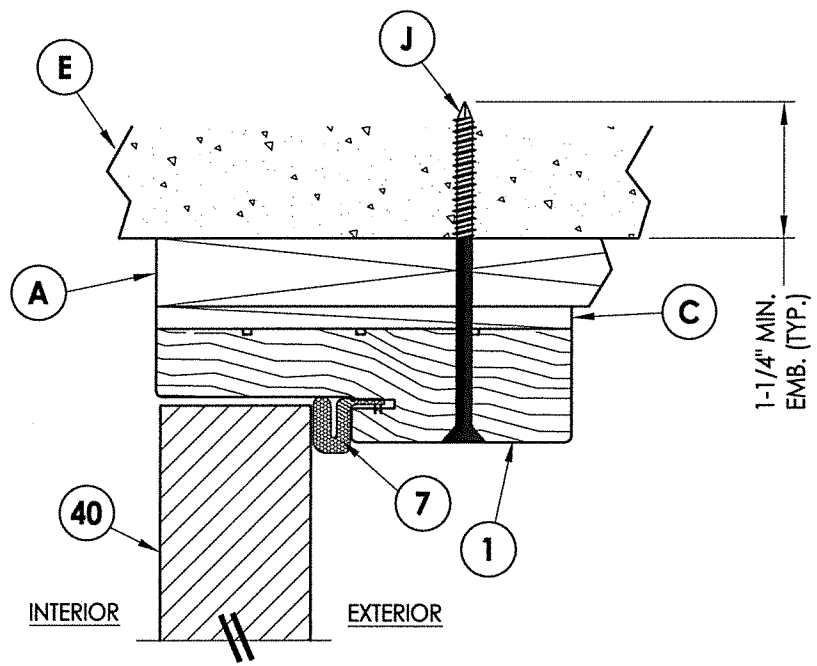
R.W.
 BUILDING CONSULTANTS, INC.
 P.O. Box 230, Valrico, FL 33595
 Phone No.: 813.659.9197
 FBPE Registry No. 9813

PRODUCT:	DOORSCAPES FIBERGLASS DOOR	
PART OR ASSEMBLY:	HORIZONTAL & VERTICAL CROSS SECTIONS (2X BUCK)	
DATE:	1/21/19	
SCALE:	N.T.S.	
DWG. BY:	MT	
CHK. BY:	LFS	
DRAWING NO.:	FL-28831.2	
SHEET	5	OF 13
NO.	DATE	REVISIONS
1	8/06/20	UPDATE TO 7TH ED. (2020) FBC
		LFS
		BY

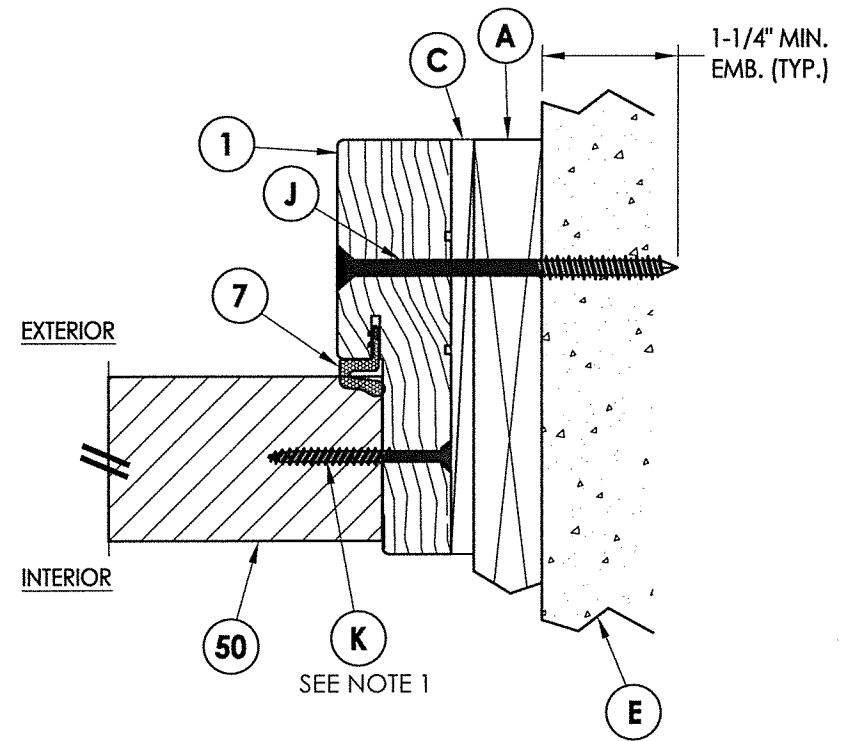
R:\Clients\Doorscapes\A - Florida Product Approvals\FL-28831 (FG Door)\C - Drawings\FL-28831 (2020)\FL28831.1-2.dwg, 6.2



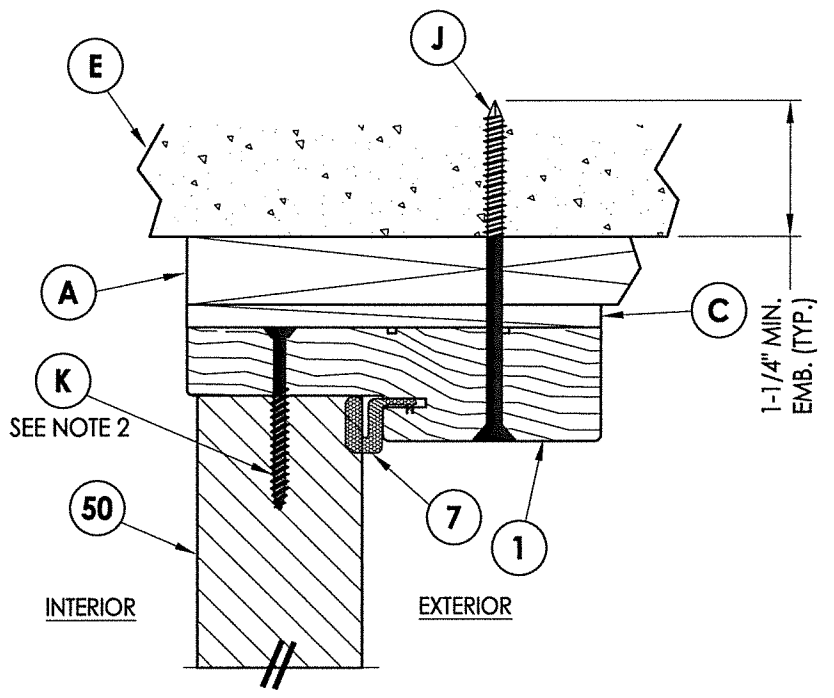
1
6 **HORIZONTAL CROSS SECTION**
Inswing
1X Buck Construction



3
6 **VERTICAL CROSS SECTION**
Inswing
1X Buck Construction



2
6 **HORIZONTAL CROSS SECTION**
Inswing
1X Buck Construction



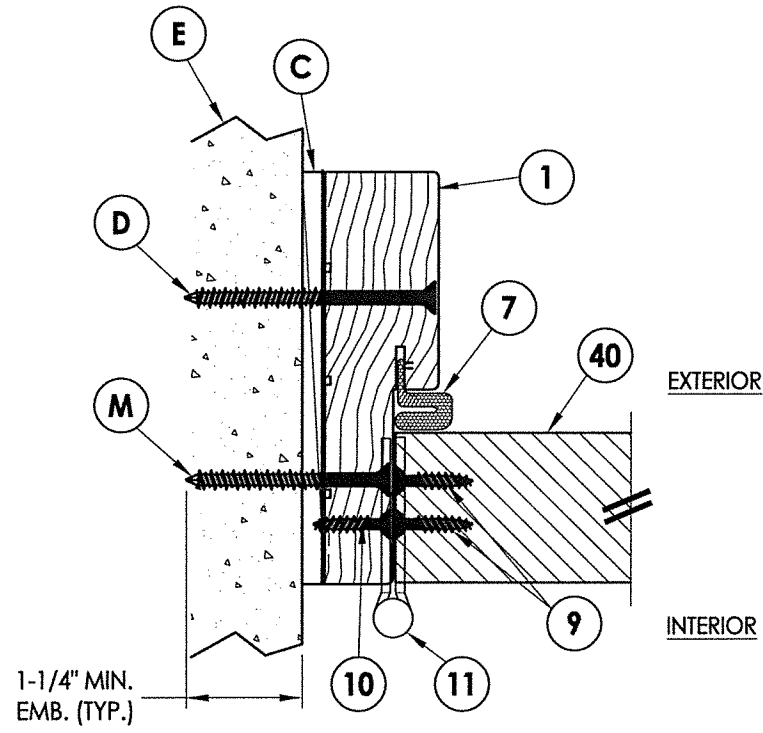
4
6 **VERTICAL CROSS SECTION**
Inswing
1X Buck Construction

- NOTES:**
- Sidelite attached @ 6" from each end plus 4 more screws equally spaced between (6 screws total per jamb).
 - Sidelite attached @ 3" from each end (2 screws total @ head).

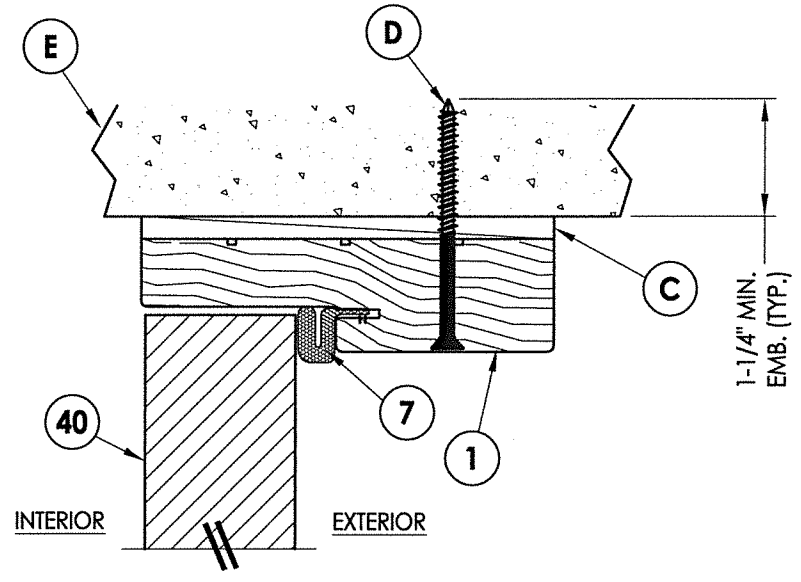
August 6, 2020
 Documents Prepared By:
 Lyndon F. Schmidt
 P.E. No. 43409

R.W.
 BUILDING CONSULTANTS, INC.
 P.O. Box 230, Valrico, FL 33595
 Phone No.: 813.659.9197
 FBPE Registry No. 9813

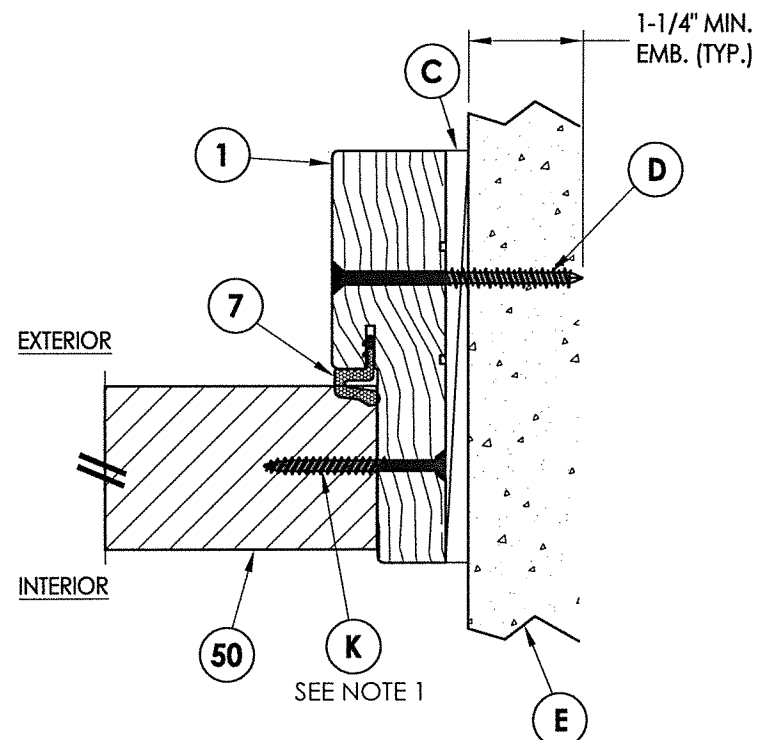
PRODUCT:		DOORSCAPES FIBERGLASS DOOR	
PART OR ASSEMBLY:		HORIZONTAL & VERTICAL CROSS SECTIONS (1X BUCK)	
NO.	DATE	BY	REVISIONS
1	8/06/20	LFS	UPDATE TO 7TH ED. (2020) FBC
DATE:		1/21/19	
SCALE:		N.T.S.	
DWG. BY:		MT	
CHK. BY:		LFS	
DRAWING NO.:		FL-28831.2	
SHEET		6 OF 13	



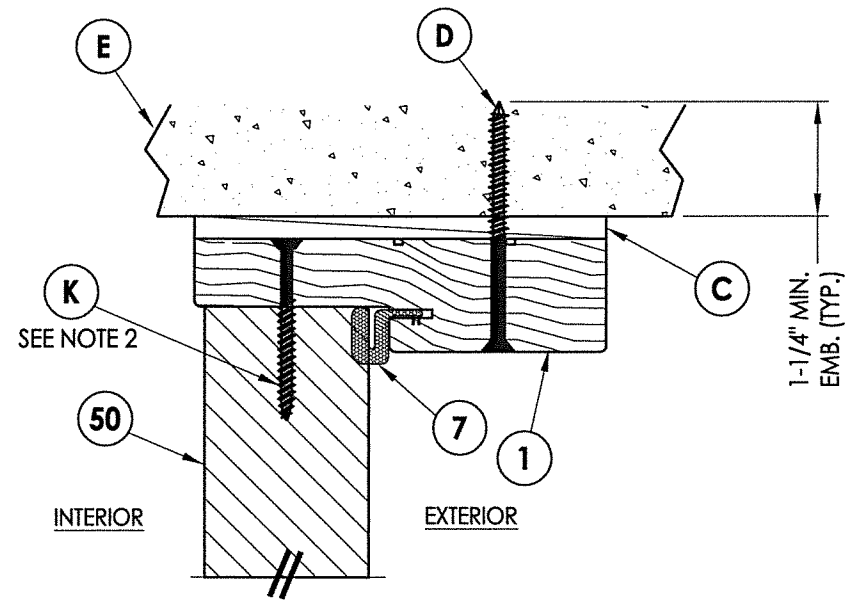
1 HORIZONTAL CROSS SECTION
7 Inswing
Shown Direct to Masonry



3 VERTICAL CROSS SECTION
7 Inswing
Shown Direct to Masonry

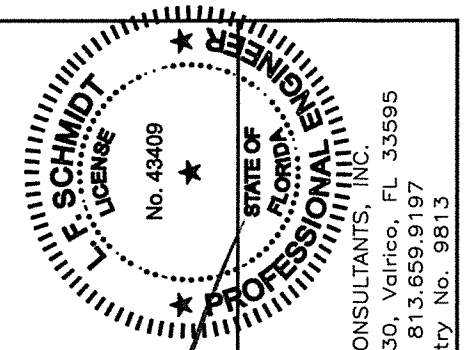


2 HORIZONTAL CROSS SECTION
7 Inswing
Shown Direct to Masonry



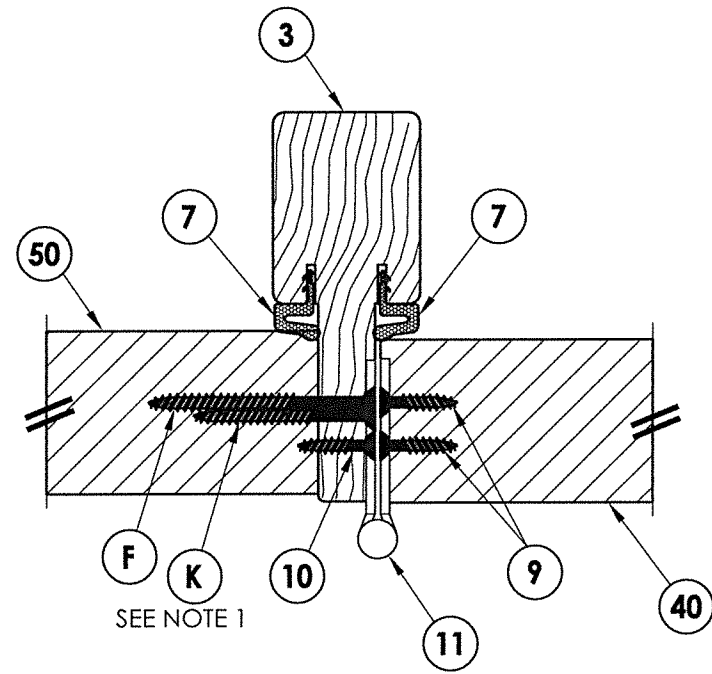
4 VERTICAL CROSS SECTION
7 Inswing
Shown Direct to Masonry

- NOTES:**
- Sidelite attached @ 6" from each end plus 4 more screws equally spaced between (6 screws total per jamb).
 - Sidelite attached @ 3" from each end (2 screws total @ head).



August 6, 2020
 Documents Prepared By:
 Lyndon F. Schmidt
 P.E. No. 43409
 RW
 BUILDING CONSULTANTS, INC.
 P.O. Box 230, Valrico, FL 33595
 Phone No.: 813.659.9197
 FBPE Registry No. 9813

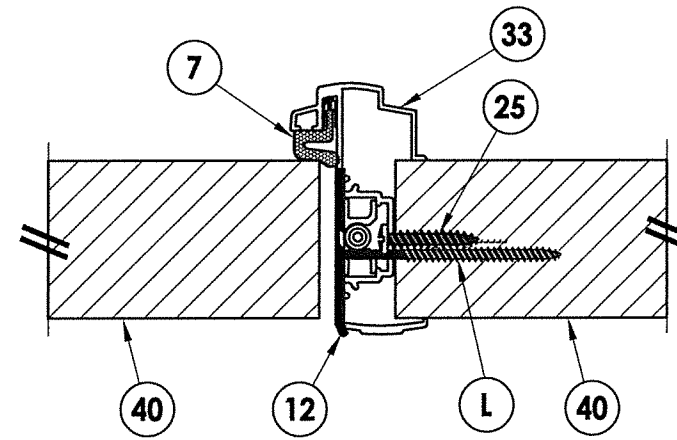
PRODUCT: DOORSCAPES FIBERGLASS DOOR	
PART OR ASSEMBLY: HORIZONTAL & VERTICAL CROSS SECTIONS (DIRECT TO MASONRY)	
NO.	REVISIONS
1	8/06/20 UPDATE TO 7TH ED. (2020) FBC
	LFS BY
	DATE
DATE: 1/21/19	
SCALE: N.T.S.	
DWG. BY: MT	
CHK. BY: LFS	
DRAWING NO.: FL-28831.2	
SHEET 7 OF 13	



1 HORIZONTAL CROSS SECTION
8 Inswing

EXTERIOR

INTERIOR



2 HORIZONTAL CROSS SECTION
8 Inswing

NOTE:

1. Sidelite attached w/ 1 screw equally spaced between each hinge (2 screws total per mullion).

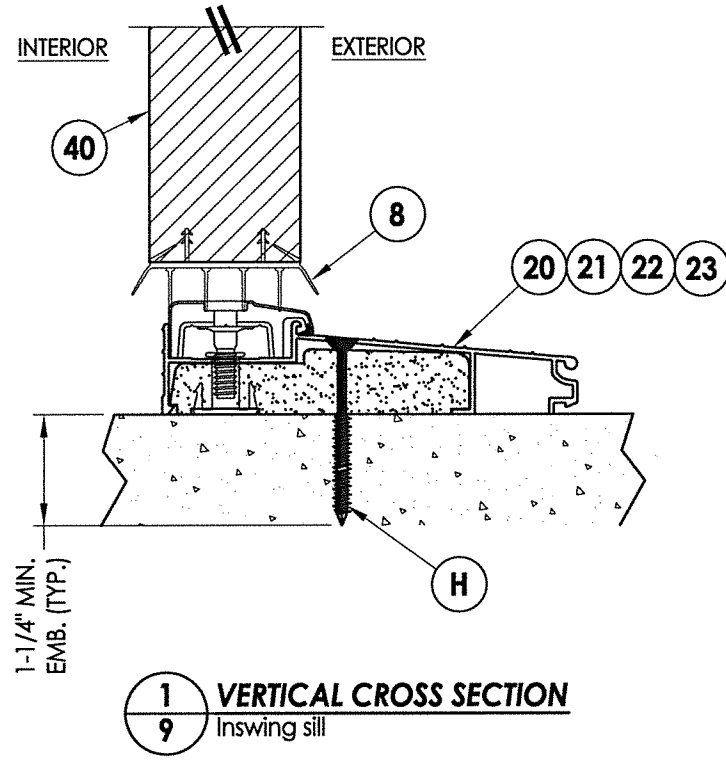
August 6, 2020

Documents Prepared By:
Lyndon F. Schmidt
P.E. No. 43409

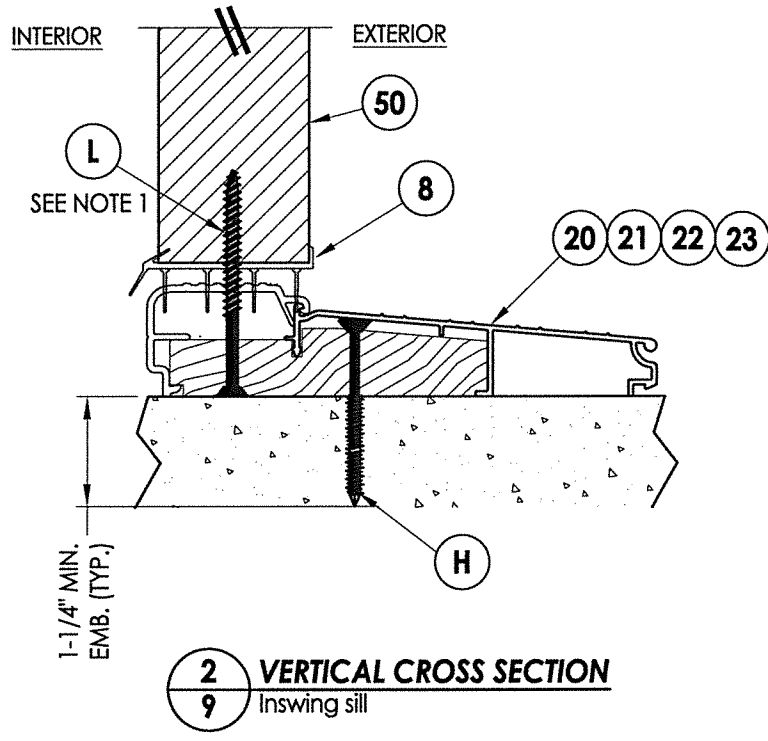
STATE OF FLORIDA
PROFESSIONAL ENGINEER
L. F. SCHMIDT
LICENSE
No. 43409

BUILDING CONSULTANTS, INC.
P.O. Box 230, Vairico, FL 33595
Phone No.: 813.659.9197
FBPE Registry No. 9813

PRODUCT: DOORSCAPES FIBERGLASS DOOR	
PART OR ASSEMBLY: HORIZONTAL CROSS SECTIONS	
NO.	REVISIONS
1	8/06/20 UPDATE TO 7TH ED. (2020) FBC
	LFS
	BY
DATE: 1/21/19	
SCALE: N.T.S.	
DWG. BY: MT	
CHK. BY: LFS	
DRAWING NO.: FL-28831.2	
SHEET 8 OF 13	

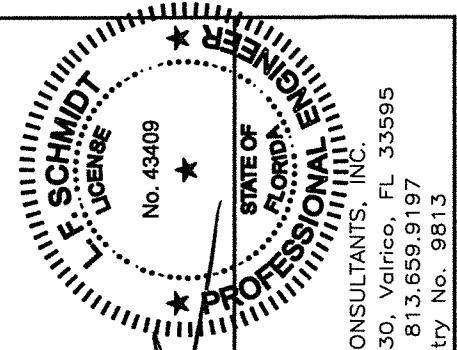


1 VERTICAL CROSS SECTION
9 Inswing sill



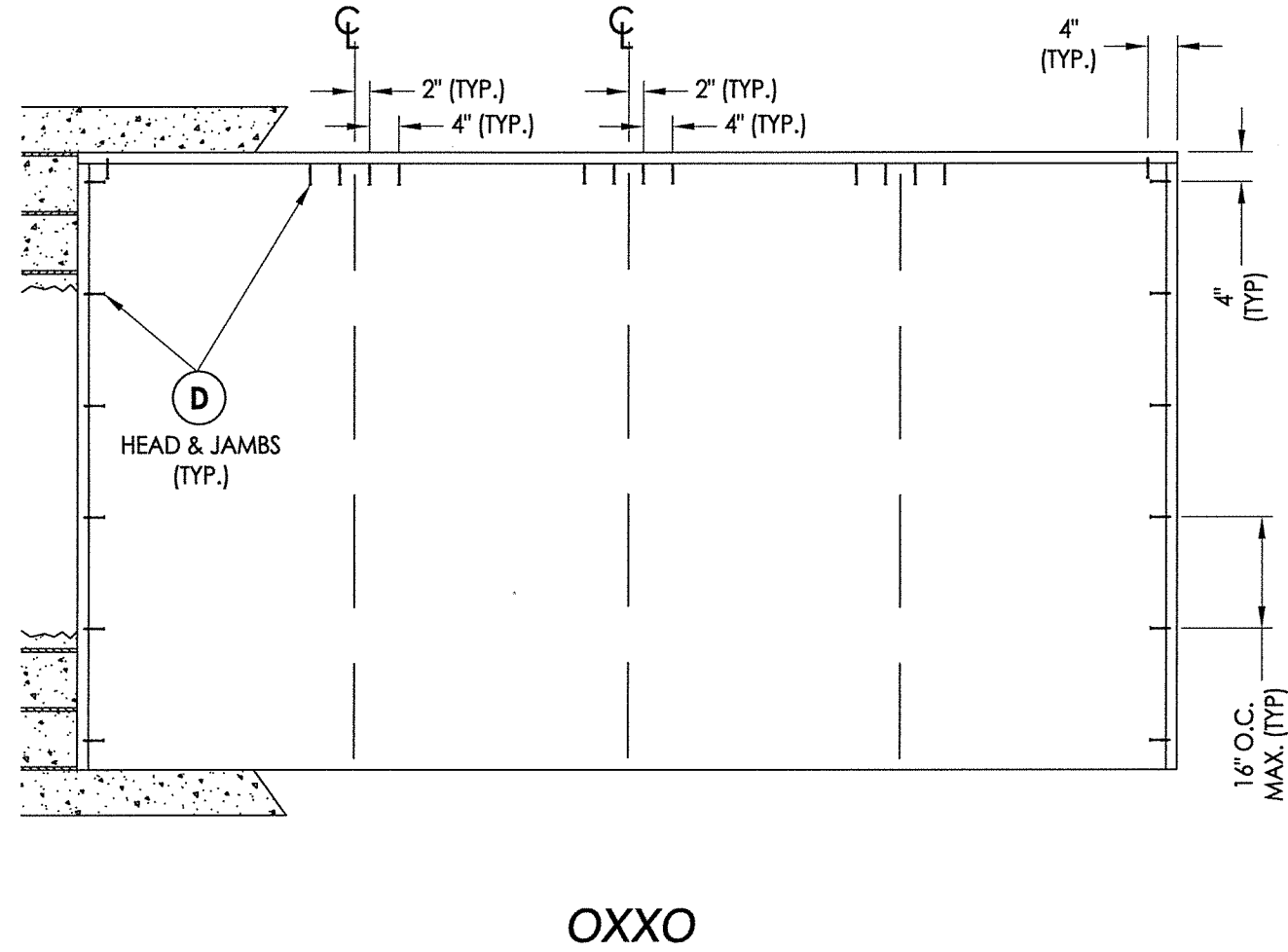
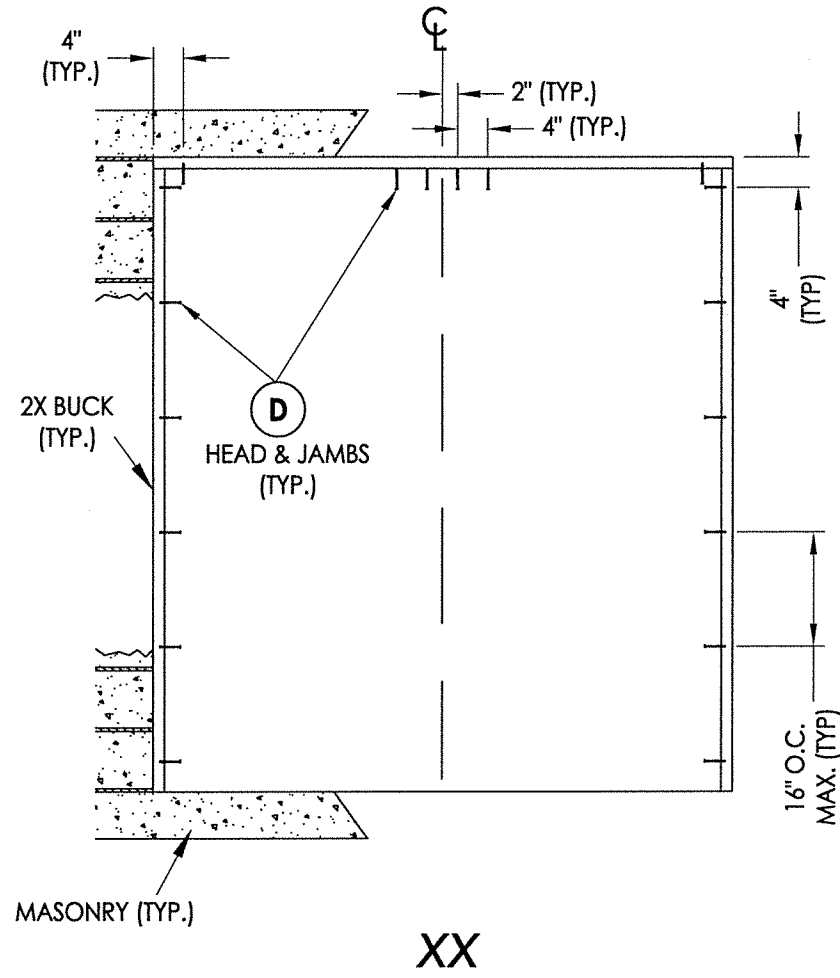
2 VERTICAL CROSS SECTION
9 Inswing sill

NOTE:
1. Sidelite attached @ 3" from each end (2 screws total @ sill).

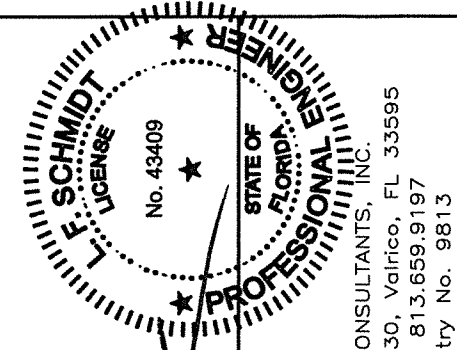


August 6, 2020
 Documents Prepared By:
 Lyndon F. Schmidt
 P.E. No. 43409
 BUILDING CONSULTANTS, INC.
 P.O. Box 230, Valrico, FL 33595
 Phone No.: 813.659.9197
 FBPE Registry No. 9813

PRODUCT:		DOORSCAPES FIBERGLASS DOOR	
PART OR ASSEMBLY:		VERTICAL CROSS SECTIONS	
NO.	DATE	BY	REVISIONS
1	8/06/20	LFS	UPDATE TO 7TH ED. (2020) FBC
DATE:		1/21/19	
SCALE:		N.T.S.	
DWG. BY:		MT	
CHK. BY:		LFS	
DRAWING NO.:		FL-28831.2	
SHEET		9 OF 13	

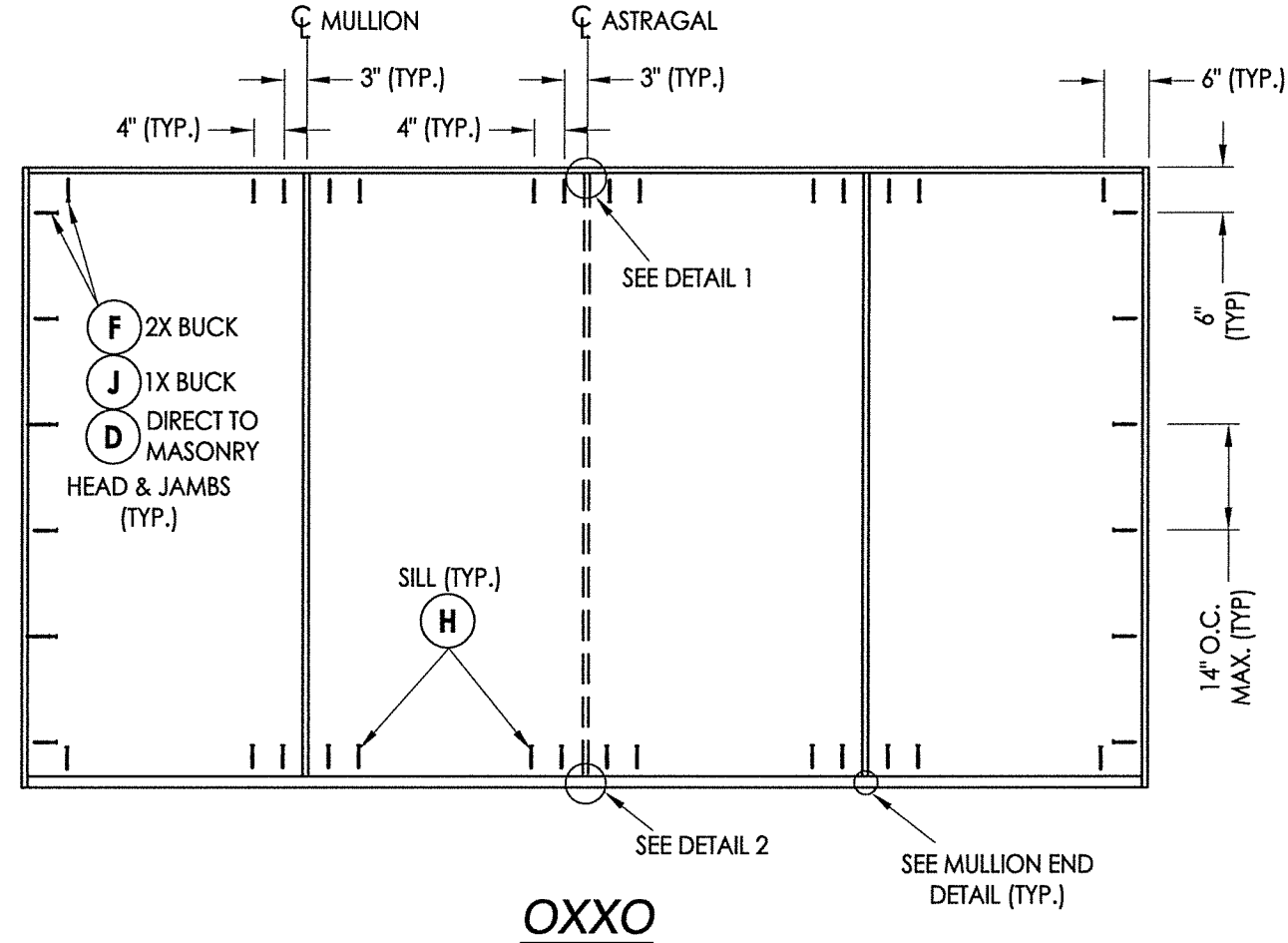
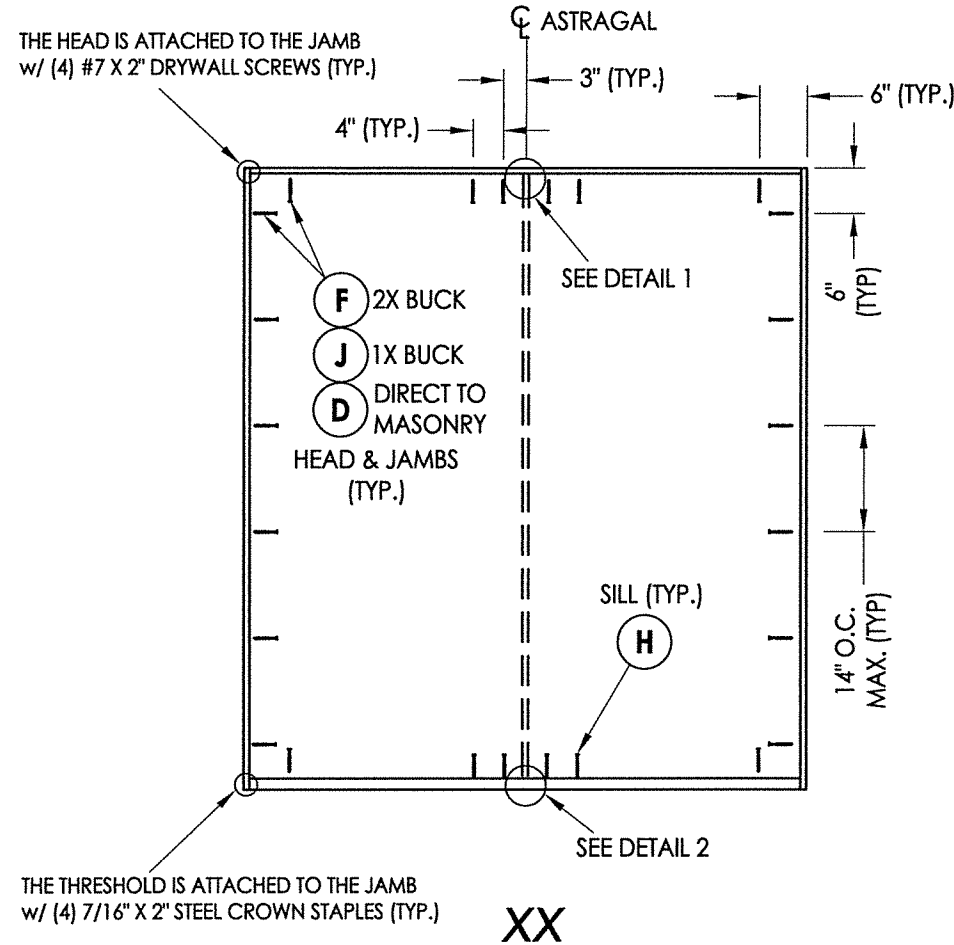


2X BUCK ANCHORING

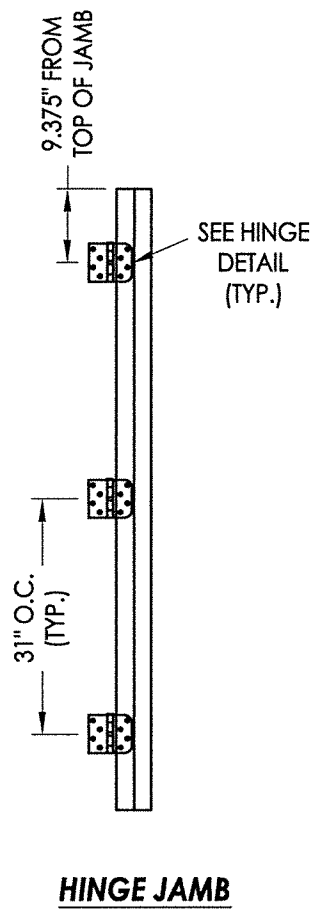
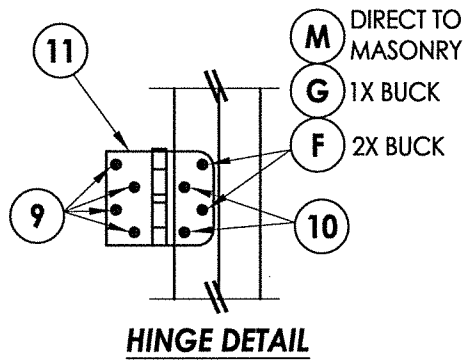
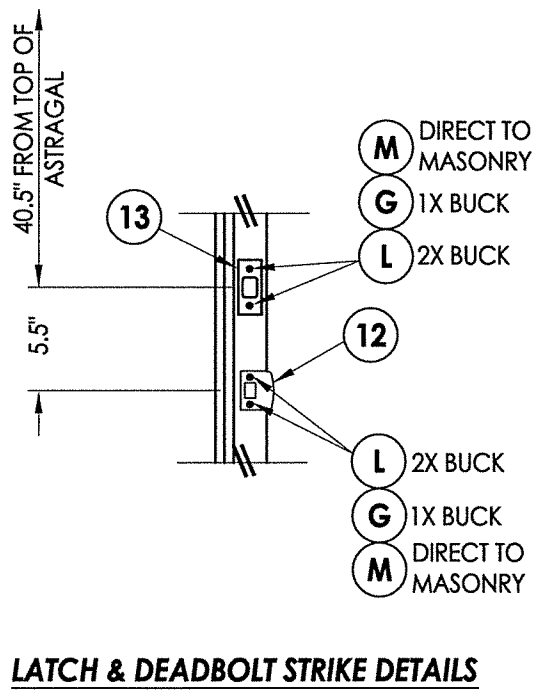
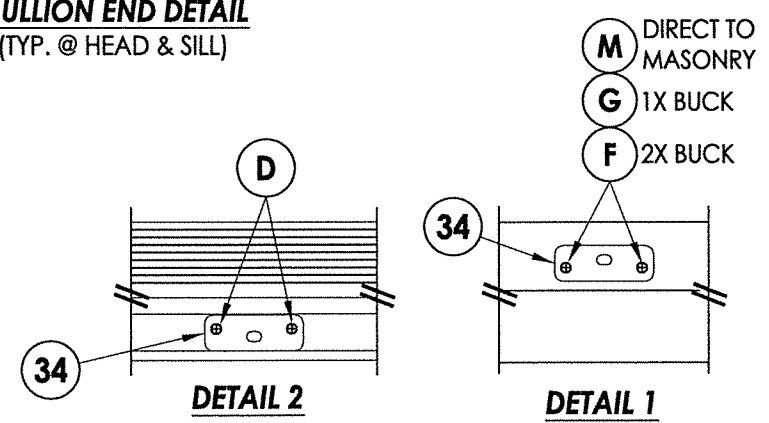
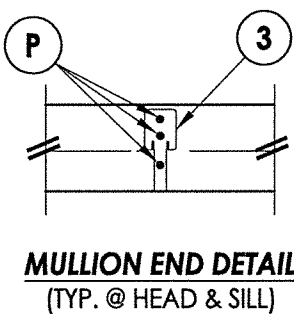


August 6, 2020
 Documents Prepared By:
 Lyndon F. Schmidt
 P.E. No. 43409
 R.W.
 BUILDING CONSULTANTS, INC.
 P.O. Box 230, Valrico, FL 33595
 Phone No.: 813.659.9197
 FBPE Registry No. 9813

PRODUCT:		DOORSCAPES FIBERGLASS DOOR	
PART OR ASSEMBLY:		BUCK ANCHORING	
NO.	DATE	BY	REVISIONS
1	8/06/20	LFS	UPDATE TO 7TH ED. (2020) FBC
DATE: 1/21/19			
SCALE: N.T.S.			
DWG. BY: MT			
CHK. BY: LFS			
DRAWING NO.: FL-28831.2			
SHEET 10 OF 13			



FRAME ANCHORING



August 6, 2020

Documents Prepared By:
Lyndon F. Schmidt
P.E. No. 43409

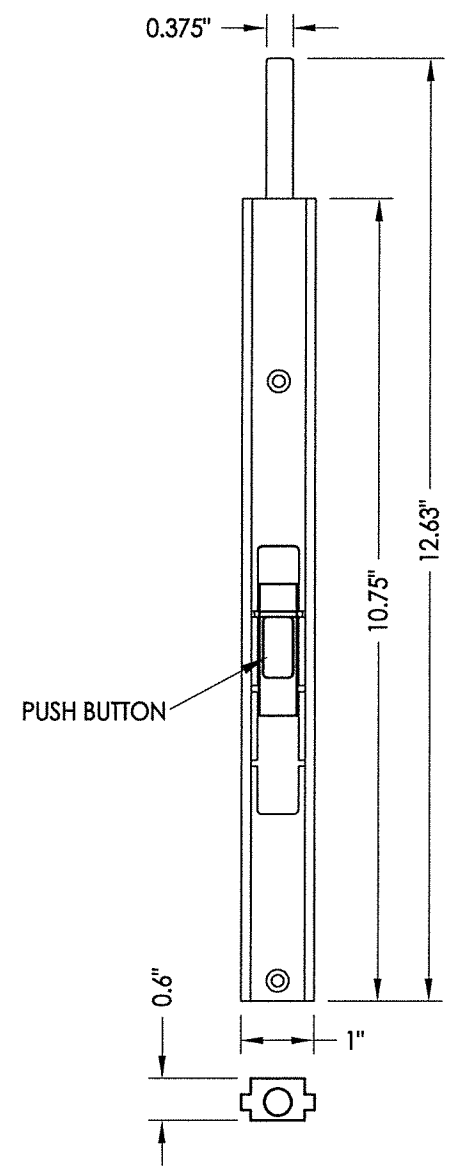
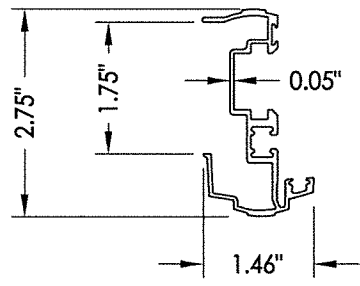
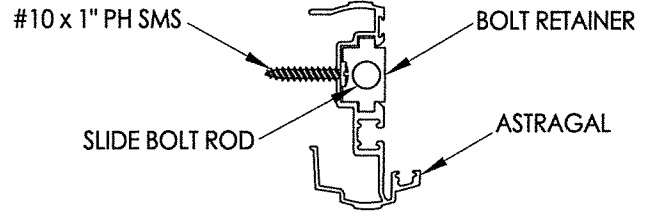
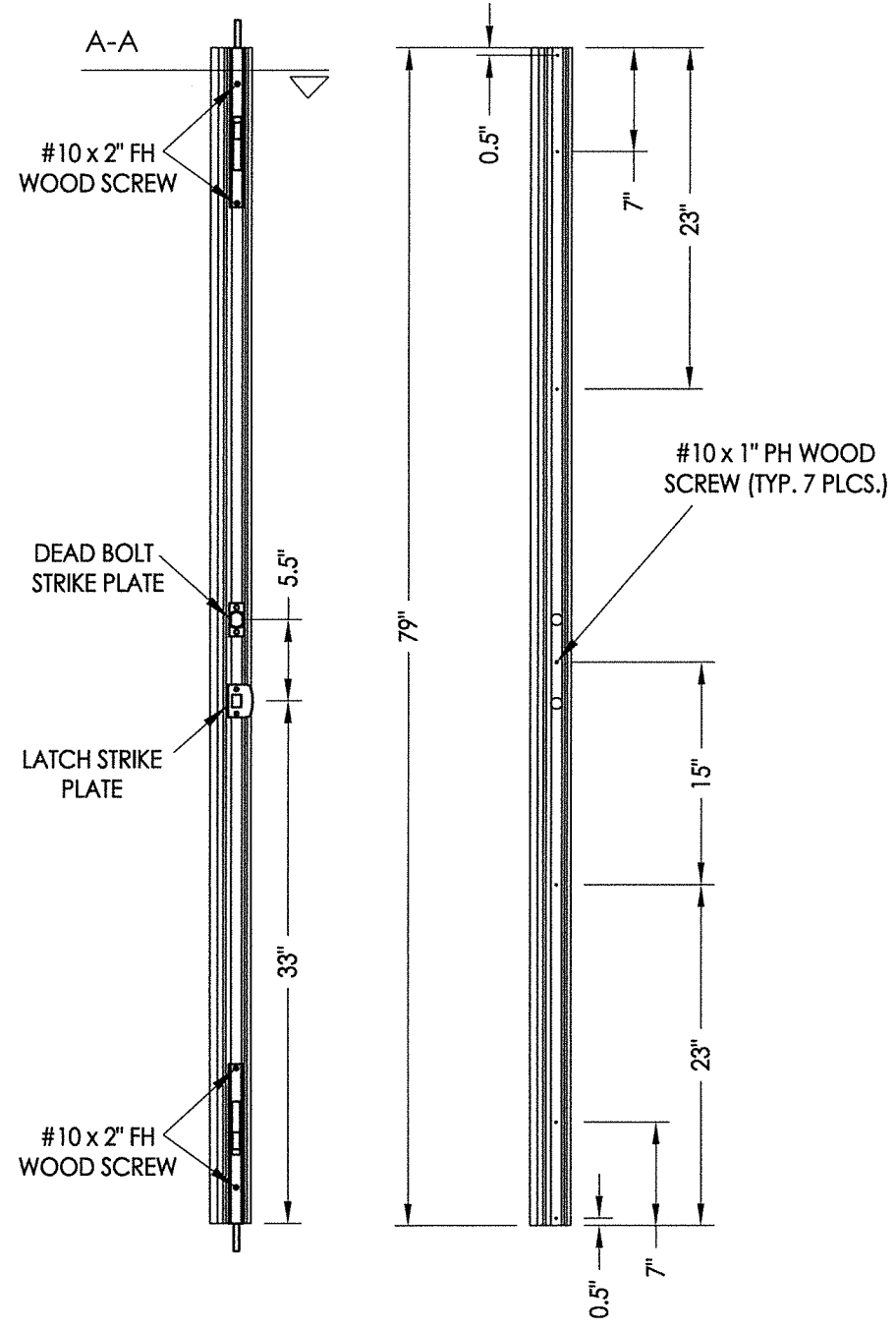
FLORIDA PROFESSIONAL ENGINEER
E. SCHMIDT
LICENSE No. 43409

STATE OF FLORIDA
PROFESSIONAL ENGINEER

RW

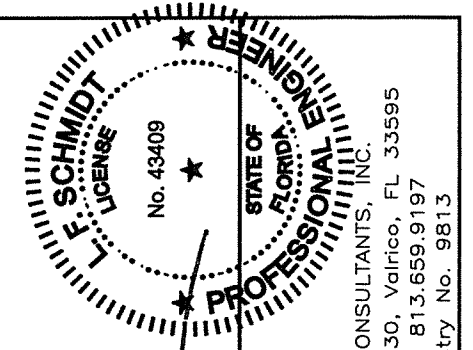
BUILDING CONSULTANTS, INC.
P.O. Box 230, Valrico, FL 33595
Phone No.: 813.659.9197
FBPE Registry No. 9813

PRODUCT:	DOORSCAPES FIBERGLASS DOOR		
PART OR ASSEMBLY:	FRAME ANCHORING & HARDWARE DETAILS		
DATE:	1/21/19		
SCALE:	N.T.S.		
DWG. BY:	MT		
CHK. BY:	LFS		
DRAWING NO.:	FL-28831.2		
SHEET	11 OF 13		
NO.	DATE	BY	REVISIONS
1	8/06/20	UPDATE TO 7TH ED. (2020)	FBC LFS



SLIDE BOLT ASSEMBLY
 (w/ Push Button)
 Aluminum

33 HURRICANE "T" ASTRAGAL by AFCO
 Aluminum



August 6, 2020
 Documents Prepared By:
 Lyndon F. Schmidt
 P.E. No. 43409
 R.W.
 BUILDING CONSULTANTS, INC.
 P.O. Box 230, Vairico, FL 33595
 Phone No.: 813.659.9197
 FBPE Registry No. 9813

PRODUCT:		DOORSCAPES FIBERGLASS DOOR	
PART OR ASSEMBLY:		BUCK ANCHORING	
NO.	DATE	BY	REVISIONS
1	8/06/20	LFS	UPDATE TO 7TH ED. (2020) FBC
DATE:		1/21/19	
SCALE:		N.T.S.	
DWG. BY:		MT	
CHK. BY:		LFS	
DRAWING NO.:		FL-28831.2	
SHEET		12 of 13	

R:\Clients\DoorScapes\VA - Florida Product Approvals\FL-28831 (FG Door)\C - Drawings\FL-28831 (2020)\FL28831.1-2.dwg, 13.2

BILL OF MATERIALS		
ITEM #	DESCRIPTION	MATERIAL
A	1X BUCK (G >= 0.42)	WOOD
B	2X BUCK (G >= 0.42)	WOOD
C	1/4" MAX. SHIM SPACE	-
D	1/4" X 2-3/4" PFH DeWALT OR ITW CONCRETE SCREW	STEEL
E	MASONRY - 3,000 PSI MIN. CONCRETE CONFORMING TO ACI 301 OR HOLLOW BLOCK CONFORMING TO ASTM C90	CONCRETE
F	#10 X 2-1/2" PFH WOOD SCREW (1.15" MIN. EMBEDMENT)	STEEL
G	3/16" X 3-1/4" PFH ITW CONCRETE SCREW	STEEL
H	1/4" X 2-1/4" PFH DeWALT OR ITW CONCRETE SCREW	STEEL
J	1/4" X 3-3/4" PFH DeWALT OR ITW CONCRETE SCREW	STEEL
K	#10 X 2" PFH WOOD SCREW	STEEL
L	#8 X 2-1/2" PFH WOOD SCREW	STEEL
M	3/16" X 2-1/4" PFH ITW CONCRETE SCREW	STEEL
P	#7 X 2-1/2" DRYWALL SCREW	STEEL
1	FINGER JOINT PINE JAMB (G >= 0.42)	WOOD
3	INTEGRAL MULLION (PINE, G >= 0.42)	WOOD
7	WEATHERSTRIP	FOAM
8	DOOR/SIDELITE BOTTOM SWEEP	VINYL
9	#9 X 1" PFH WOOD SCREW	STEEL
10	#10 X 3/4" PFH WOOD SCREW	STEEL
11	4" X 4" BUTT HINGE	STEEL
12	LATCH STRIKE PLATE	STEEL
13	DEADBOLT STRIKE PLATE	STEEL
20	INSWING THRESHOLD (AFCO A-125)	ALUM/WOOD
21	INSWING THRESHOLD (AFCO A-125)	ALUM/COMP
22	INSWING THRESHOLD (AFCO A-276)	ALUM/WOOD
23	INSWING THRESHOLD (AFCO A-280)	ALUM/WOOD
25	#10 X 1" PH SMS	STEEL
33	ALUMINUM ASTRAGAL (AFCO)	ALUM
34	ASTRAGAL STRIKE PLATE	STEEL
40	DOOR PANEL - SEE DOOR PANEL DETAIL SHEET FOR DETAILS	-
50	SIDELITE PANEL - SEE SIDELITE PANEL DETAIL SHEET FOR DETAILS	-

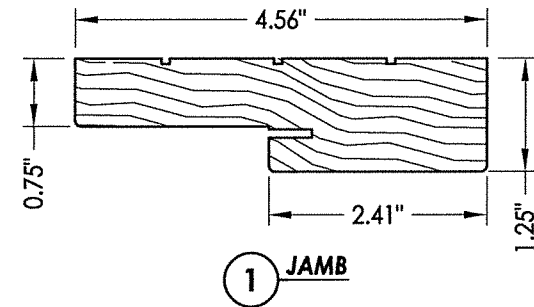
CONCRETE ANCHOR NOTES:

- Concrete anchor locations at the corners may be adjusted to maintain the min. edge distance to mortar joints.
- Concrete anchor locations noted as "MAX. ON CENTER" must be adjusted to maintain the min. edge distance to mortar joints, additional concrete anchors may be required to ensure the "MAX. ON CENTER" dimension are not exceeded.
- Concrete anchor table:

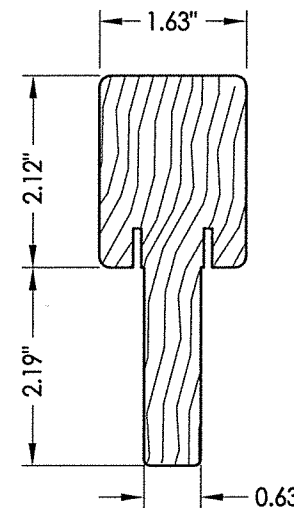
ANCHOR TYPE	ANCHOR SIZE	MIN. EMBEDMENT	MIN. CLEARANCE TO MASONRY EDGE	MIN. CLEARANCE TO ADJACENT ANCHOR
ITW BUILDEX TAPCON®	3/16"	1-1/4"	3"	1-1/2"
	1/4"	1-1/4"	2"	4"
DeWALT ULTRACON®	1/4"	1-1/4"	1"	4"

WOOD SCREW INSTALLATION NOTES:

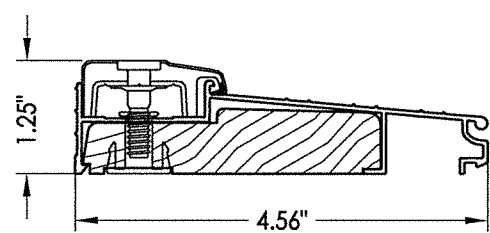
- Maintain a minimum 5/8" edge distance, 1" end distance, & 1" o.c. spacing of wood screws to prevent the splitting of wood.



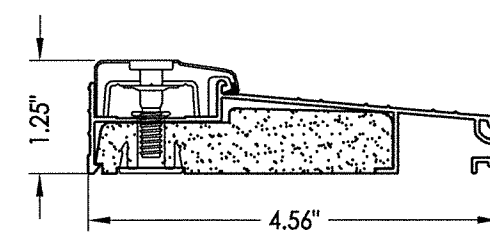
1 JAMB



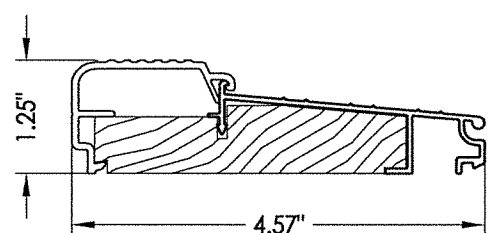
3 INTEGRAL MULLION



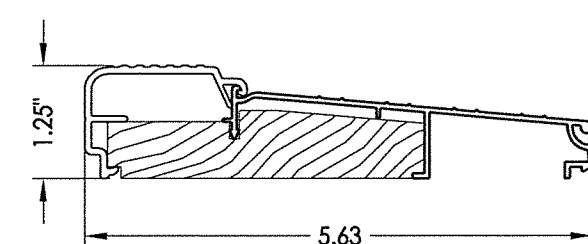
20 INSWING ADJUSTABLE THRESHOLD



21 INSWING ADJUSTABLE THRESHOLD



22 INSWING FIXED THRESHOLD



23 INSWING FIXED THRESHOLD

August 6, 2020
 Documents Prepared By:
 Lyndon F. Schmidt
 P.E. No. 43409

PROFESSIONAL ENGINEER
 STATE OF FLORIDA
 No. 43409

R.W.
 BUILDING CONSULTANTS, INC.
 P.O. Box 230, Valrico, FL 33595
 Phone No.: 813.659.9197
 FBPE Registry No. 9813

PRODUCT:		DOORSCAPES FIBERGLASS DOOR	
PART OR ASSEMBLY:		BILL OF MATERIALS & COMPONENTS	
DATE:	1/21/19	DATE:	8/06/20
SCALE:	N.T.S.	DATE:	8/06/20
DWG. BY:	MT	DATE:	8/06/20
CHK. BY:	LFS	DATE:	8/06/20
DRAWING NO.:	FL-28831.2	DATE:	8/06/20
SHEET	13 of 13	DATE:	8/06/20